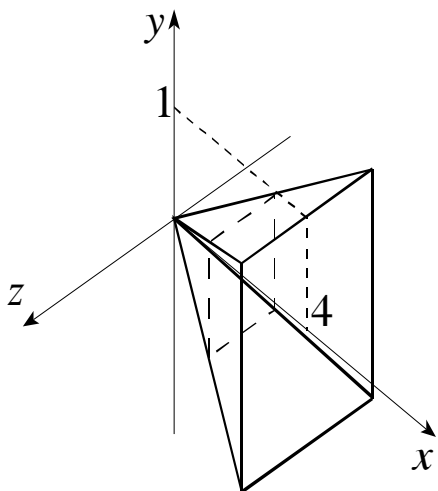
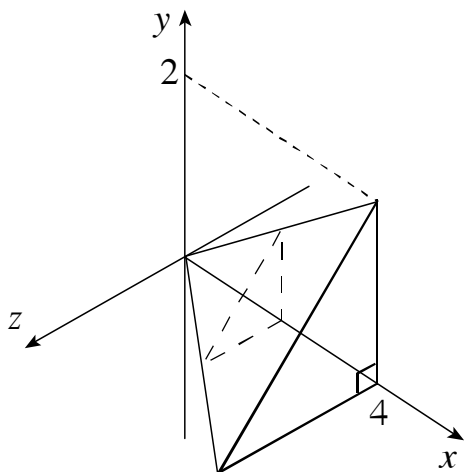


Find the volume of the solids below whose cross-sections perpendicular to the x -axis are

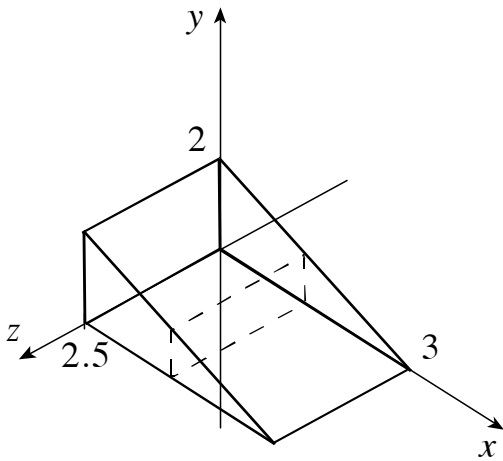
1. Squares



2. Isosceles right triangles



3. Rectangles



4. Half-circles

